



BM-D™ Series II BM-D26S



High Output Compression Driver

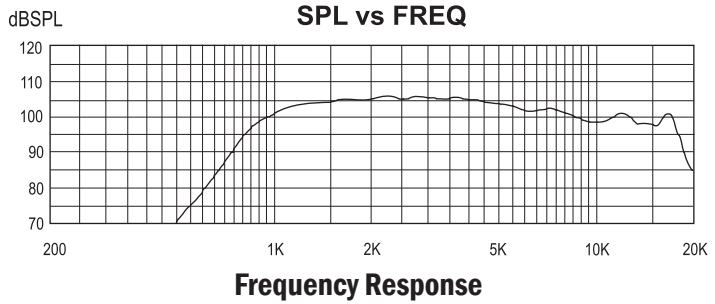
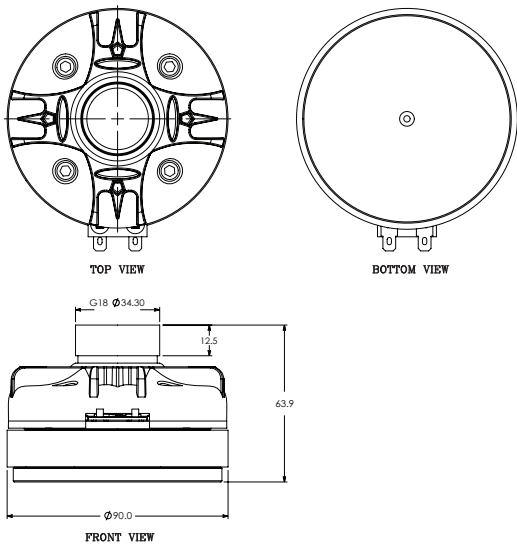
The P Audio BM-D26S is a 1 inch (25.4mm) small format diaphragm compression driver coupled to a high density magnetic circuit. The compression driver exit diameter is an industry standard 1 inch (25.4mm). The BM-D26S combines high magnetic field strength and a very lightweight diaphragm assembly, producing a very high output device that also features extended bandwidth and well defined frequency response. The BM-D26S is optimized for very high performance two way system designs as well as three way designs featuring bass, mid bass, and ultra high frequency transducers. The driver has a rated low frequency response limit of 1.5kHz and features extended response to beyond 2kHz.

The BM-D26S is a Ferrite based magnetic system with an FEA (Finite Element Analysis) modeled magnetic circuit designed to yield very high magnetic density and high acoustic conversion efficiency. The light weight diaphragm design and optimized geometry insure extended response and very high acoustic output capability in the mid range. The diaphragm assembly features P Audio's high temperature systems to insure very high reliability and elevated power handling.

The BM-D26S features an industry standard screw-on style mounting system that is ideally mated to all P Audio PH series high frequency horns as well as any industry standard high frequency horn that can accommodate a standard 1 inch "screw-on" mounting pattern.

Specifications

| | |
|--|--------------------------------------|
| Throat Diameter | 1.0 inch (25.4mm) |
| Diaphragm Diameter | 1.0 inch (25.4mm) |
| Nominal Impedance | 8 Ohm |
| Voice Coil DC Resistance | 6.2 Ohm |
| Power Handling | 30 Watt |
| Sound Pressure Level (1W@1M) (Loaded with 90x40 Horn) | 106 dB |
| Mounting Type | Screw On |
| Magnet | Ferrite |
| Diaphragm Material | PEI (Polyimide Film) |
| Recommended Crossover | 1.5kHz or higher (12dB/Oct slope) |
| Net Weight | 1.03kg (2.3lbs) 1pc |
| Gross Weight | 25.5kg (56.1lbs) 24pcs |
| Packing Dimension HxWxD(cm) | 18.0 x 40.2 x 30.4 (0.81 Cu.Ft.) |



19/4 Moo 2 T.Bangkratuk A. Samparn Nakornpathom 73210 Thailand
 Tel: +66-2-441 6600 Auto 30 Lines
 e-mail: info@paudiothailand.com
 Web site: www.paudiothailand.com
 All rights reserved by P.Audio System Co., Ltd. 2007